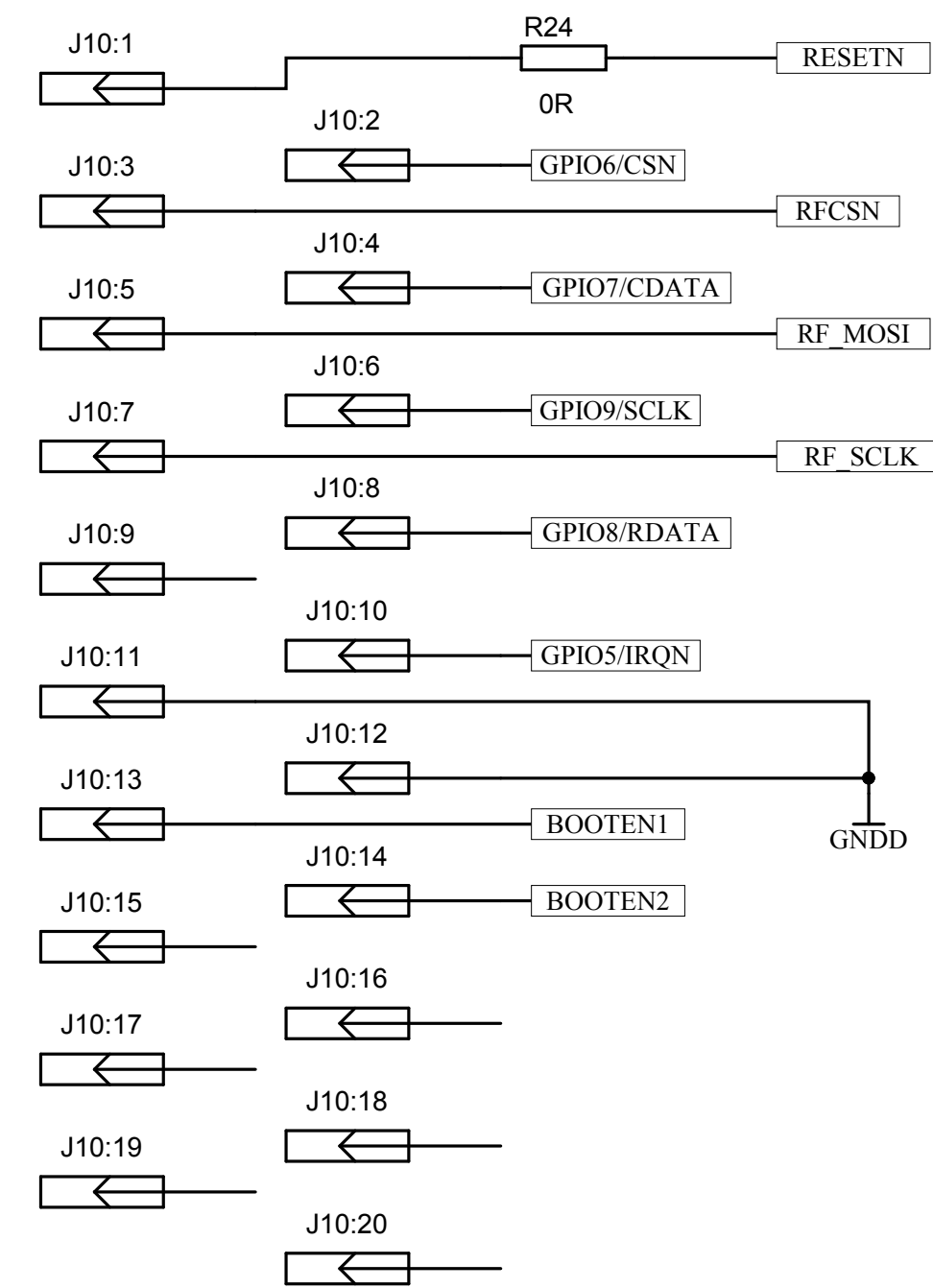


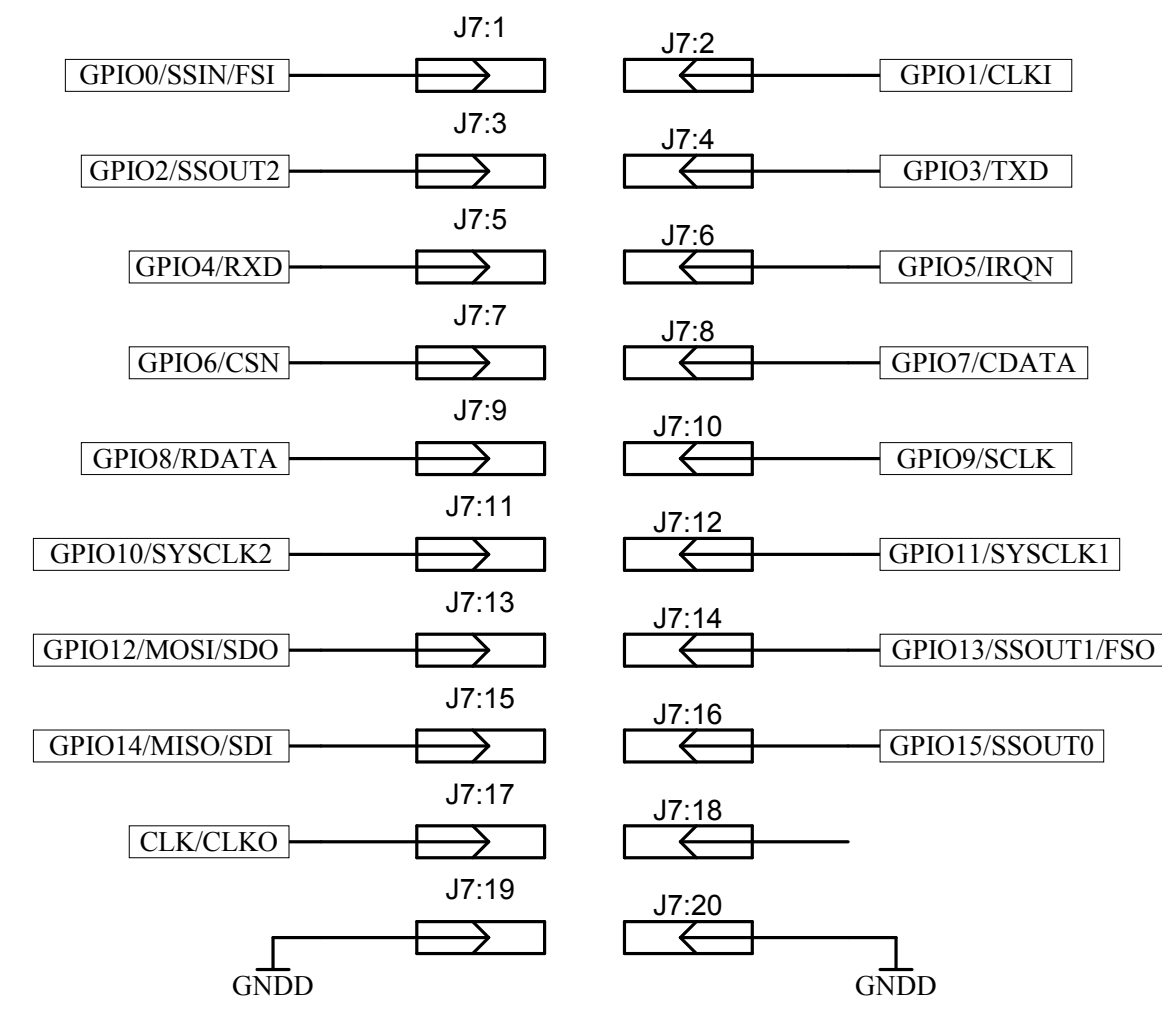
High Resolution  
Circuit Diagrams  
for  
PE0601-7261, 7262  
August 2012



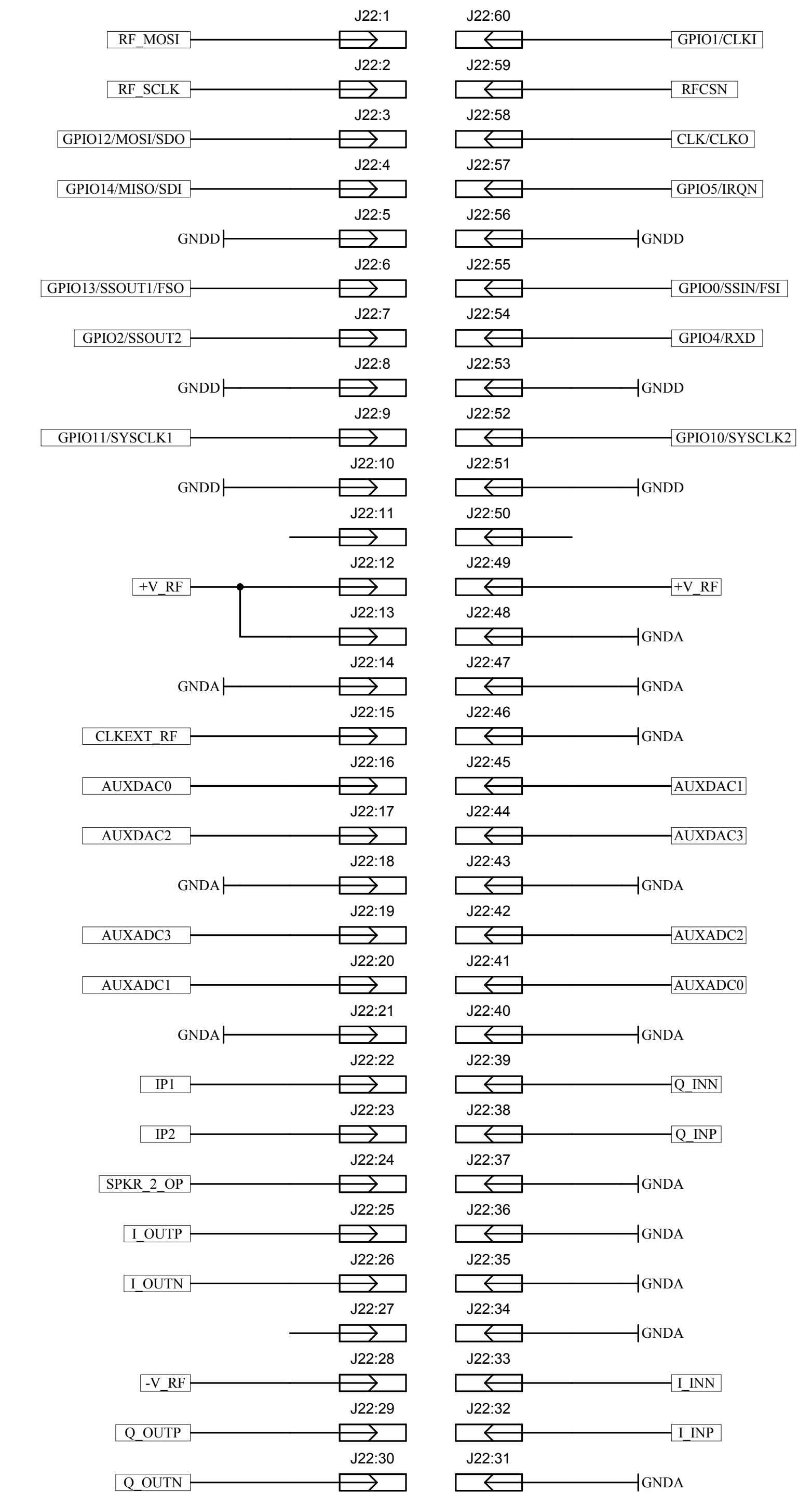
PE0002 Connector (C-BUS Slave)



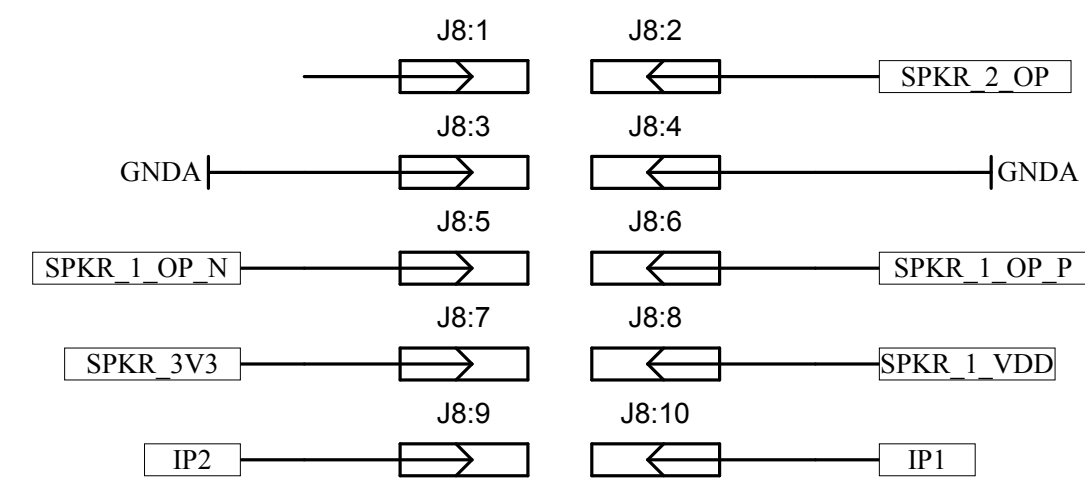
GPIO/SSP Connector



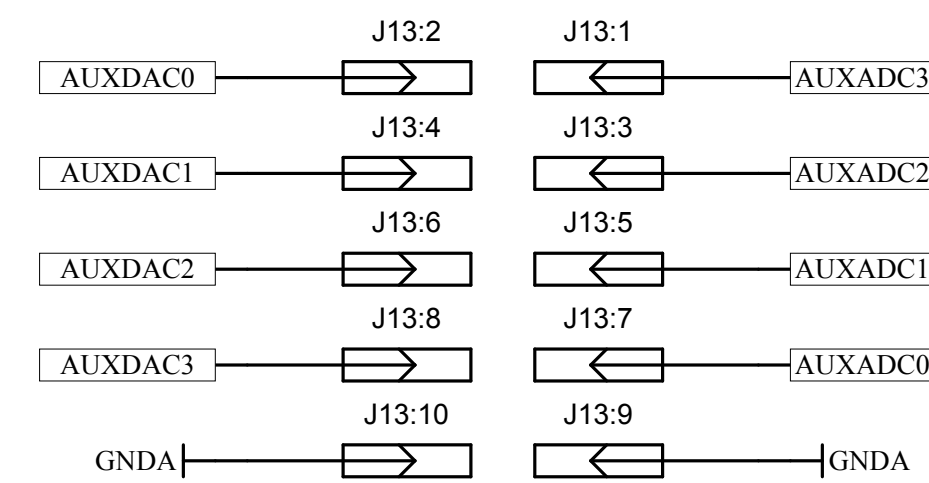
Radio Interface



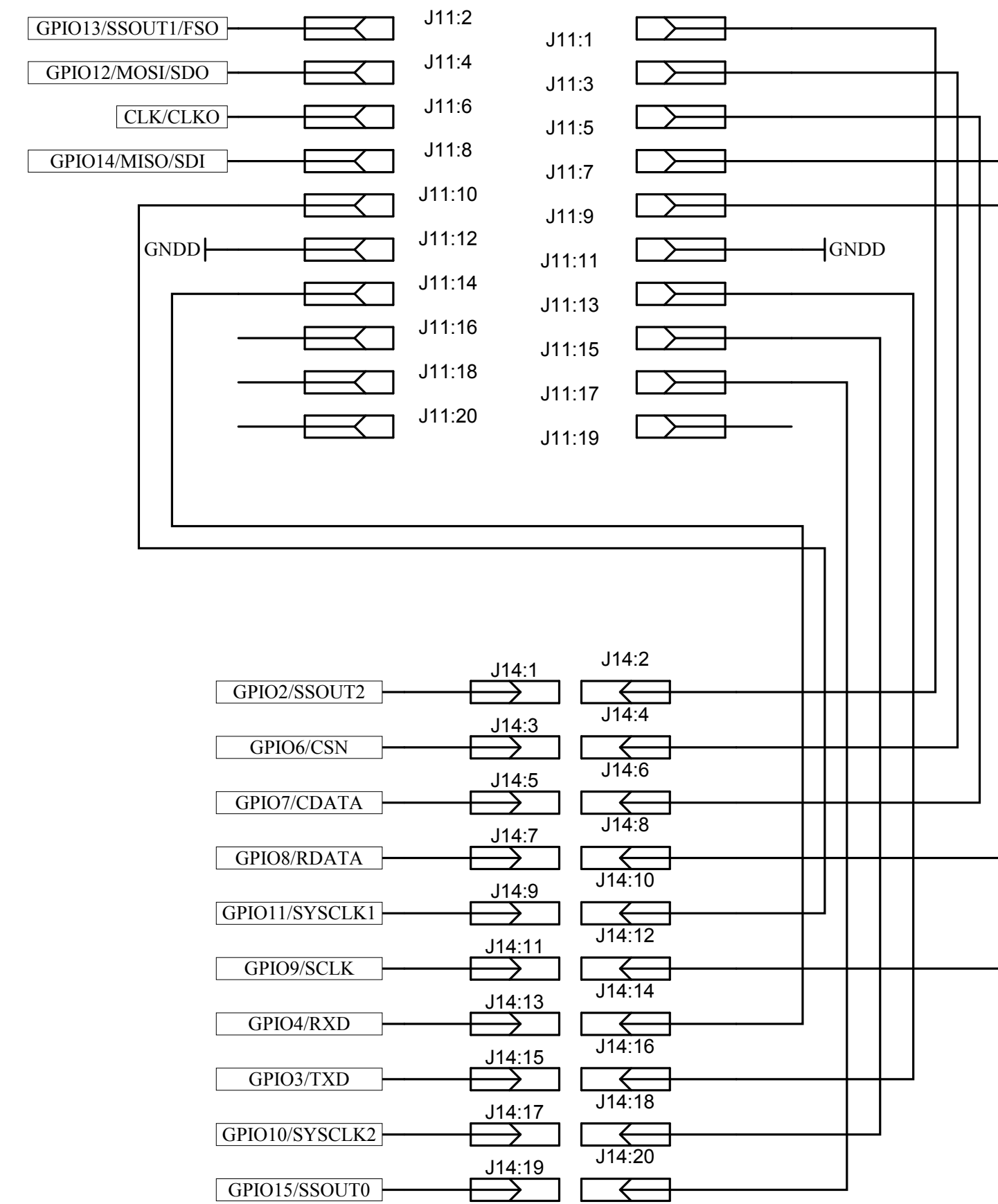
Audio Connector



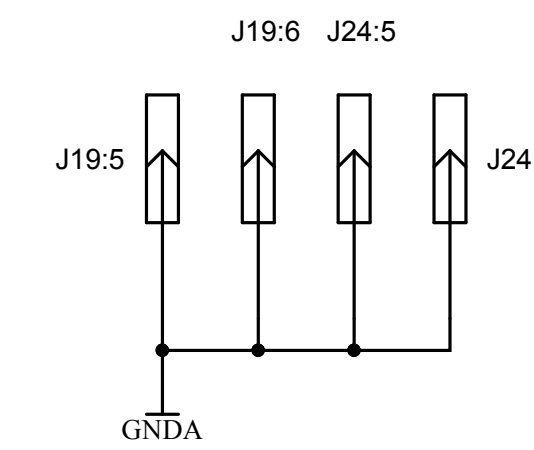
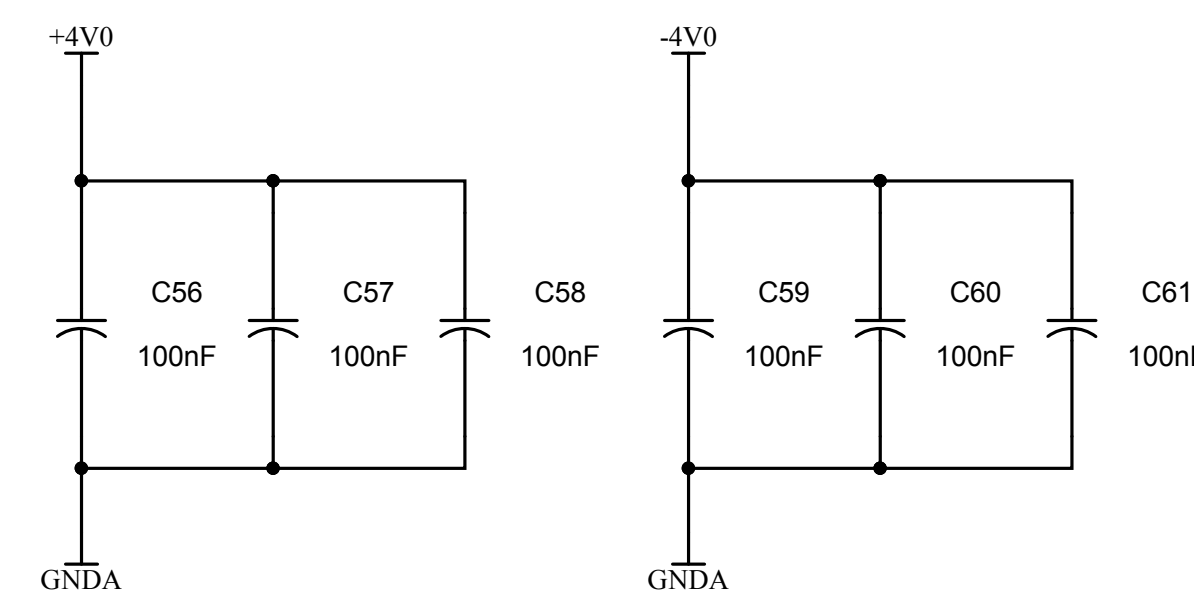
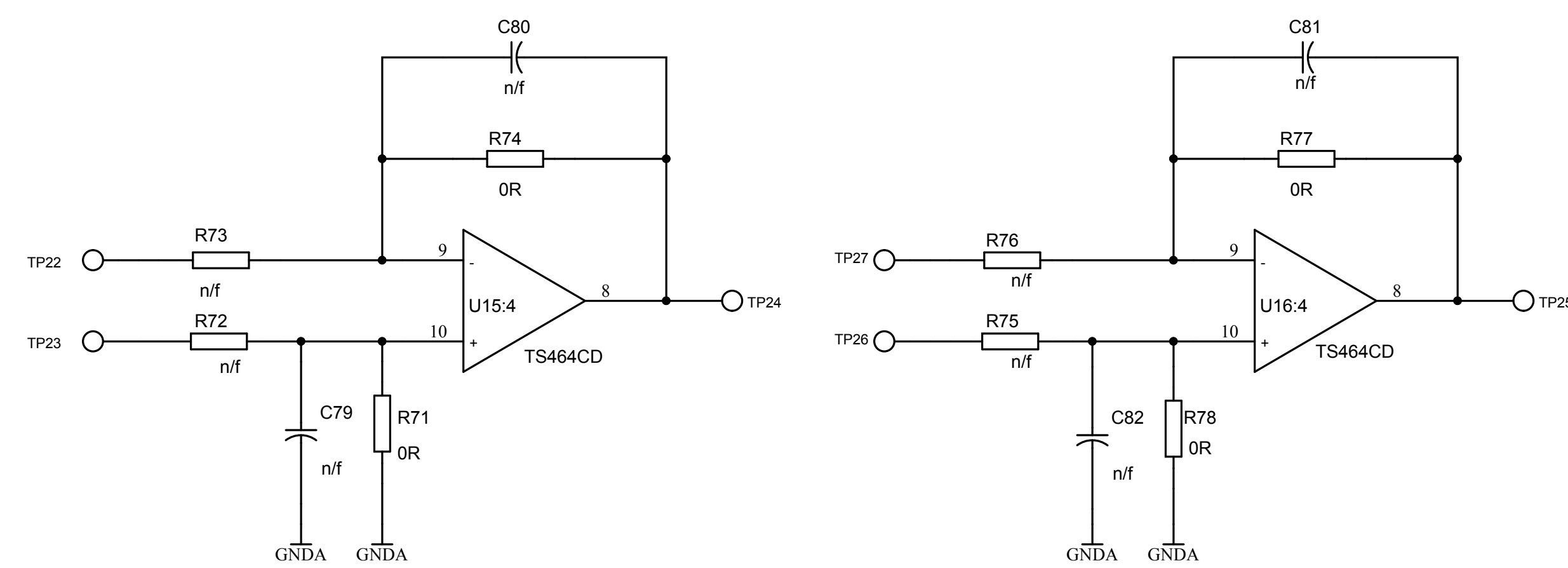
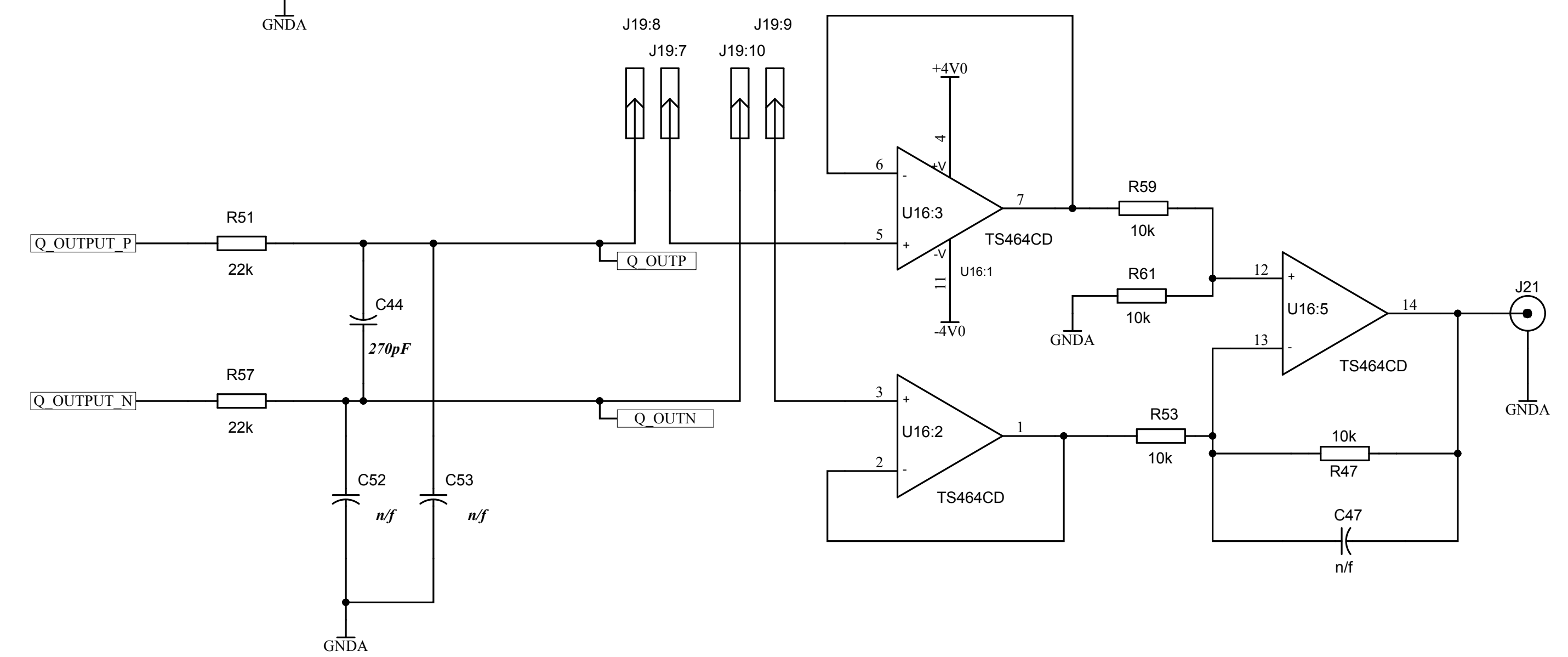
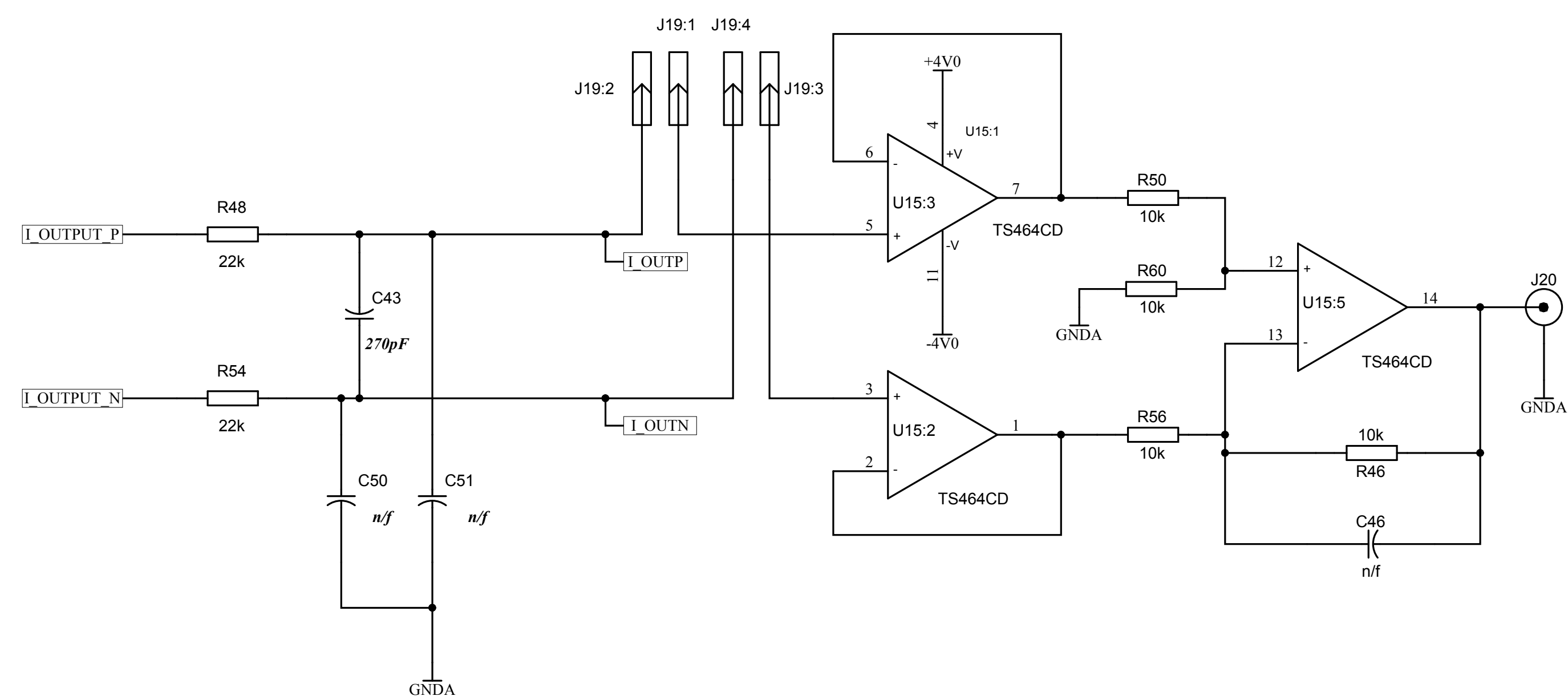
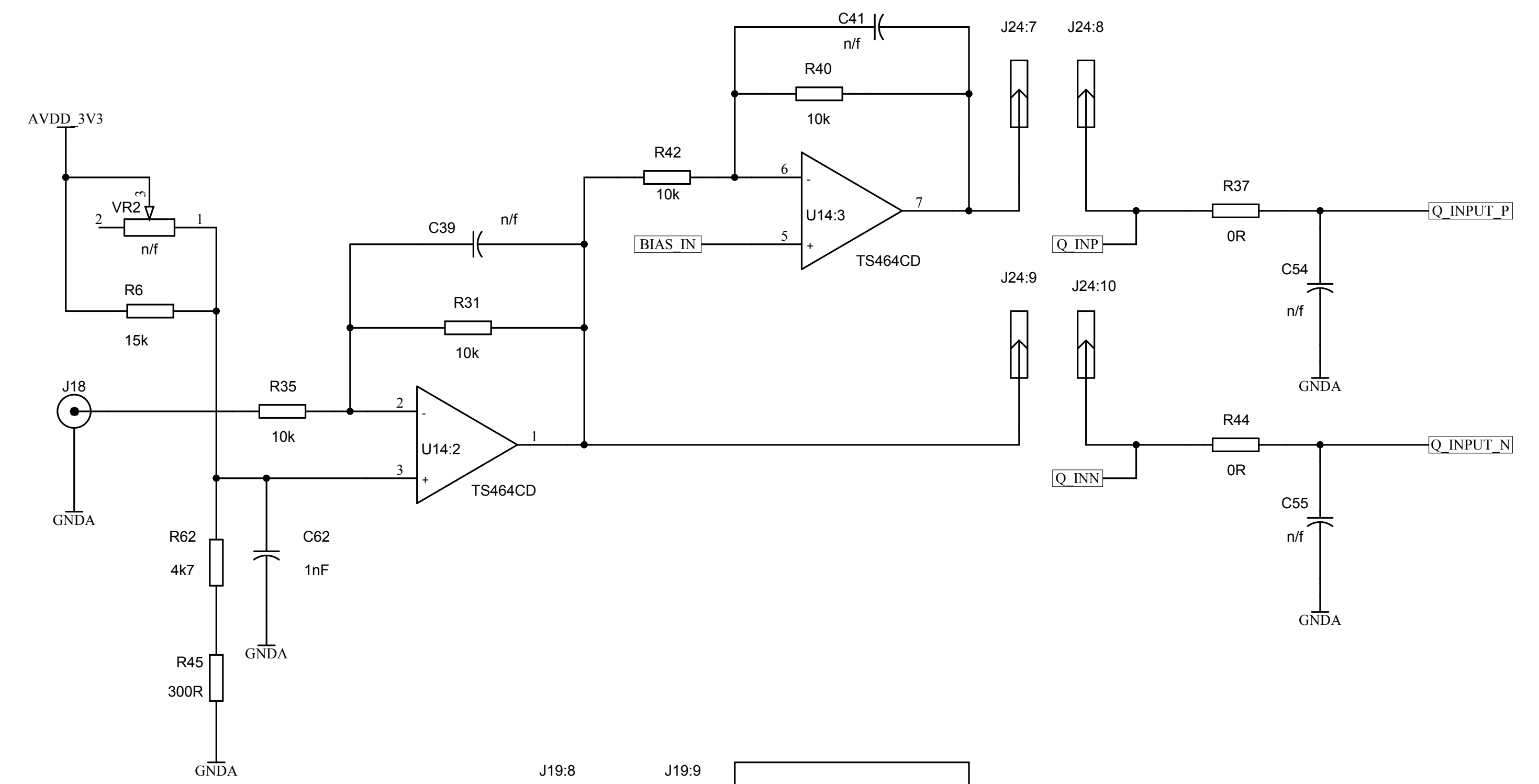
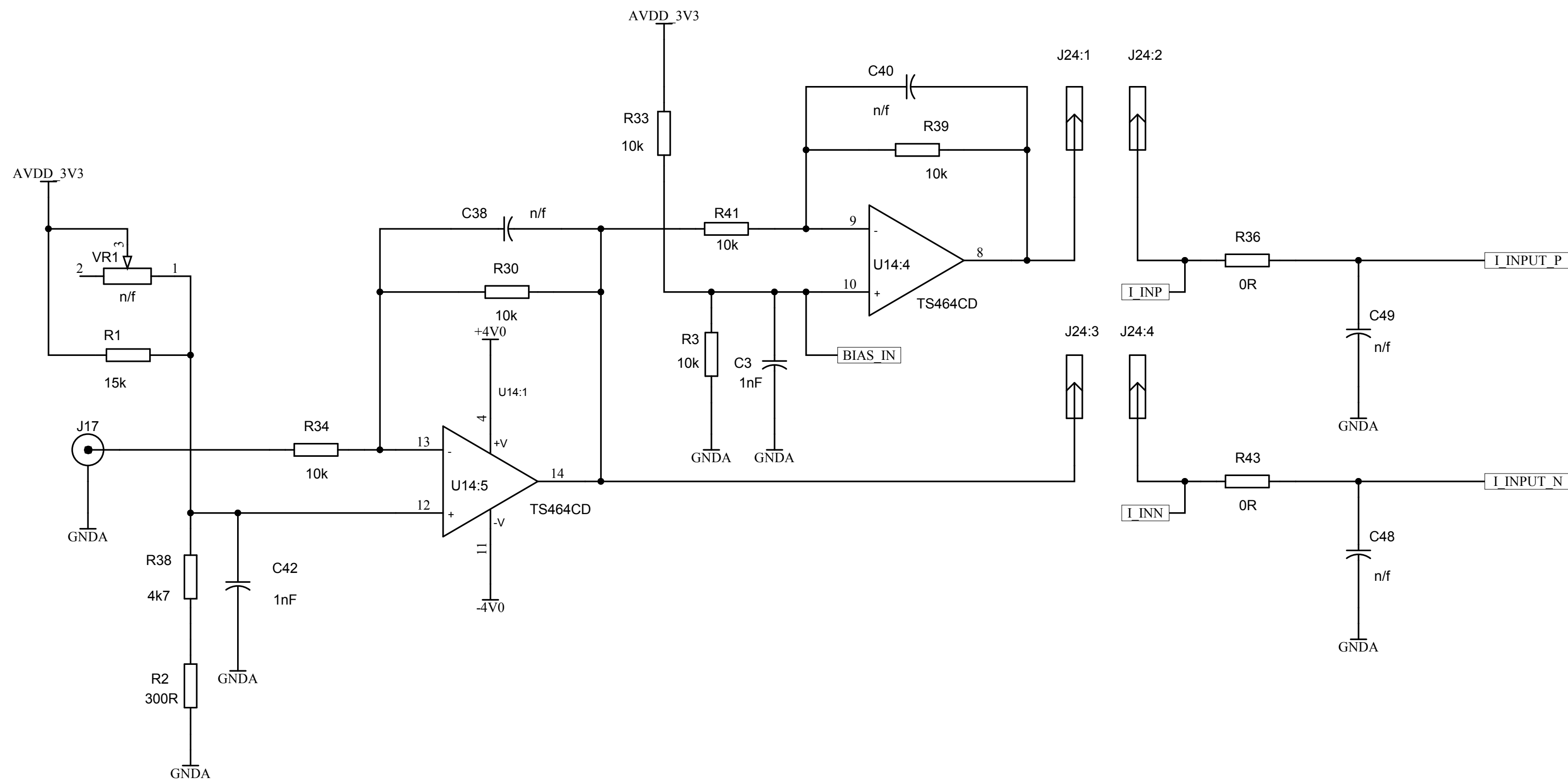
AUXDAC/AUXADC Connector



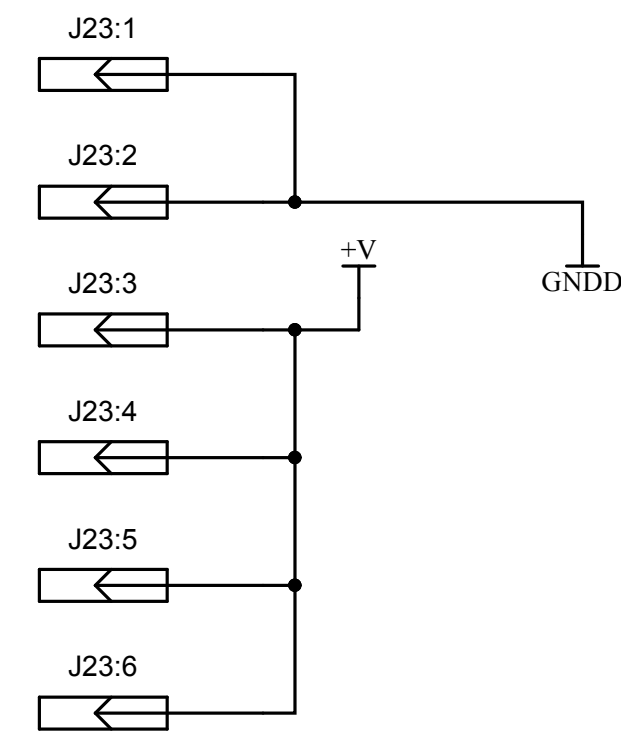
SSP Connector 2 (C-BUS Master)



Signal Routing Jumpers



PE0002 Power Connector



Power Connector

